



Holy Stone Enterprise Co., Ltd

MO-RXLC-A

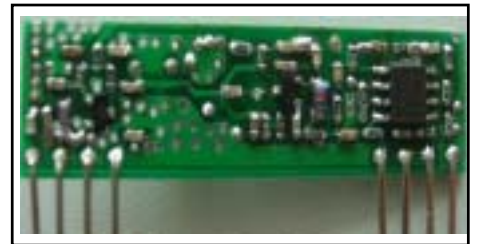
SUPER-REGENERATION RECEIVER MODULE

315/434 MHz ASK RECEIVER

Description

MO-RXLC-A is an ASK receiver module. The MO-RXLC-A is based on a single-conversion ,super-regeneration receiver architecture .It can use in OOK / HCS / PWM modulation signal and demodulate to digital signal. MO-RXLC-A had a high performance and easily to design your product.

It can be used on wireless security system or specific remote-control function and others wireless system

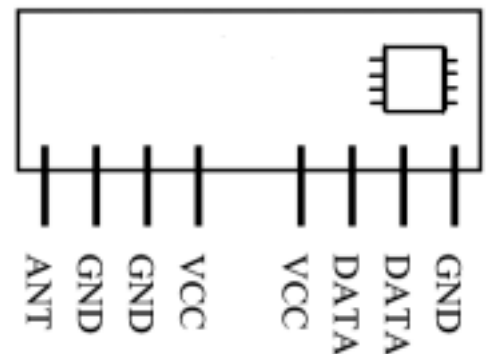


Features

- Low power consumption.
- Easy for application.
- Operation temperature range : - 20 + 80
- Operation voltage : 5 Volts.
- Available frequency at : 315/434 MHz

Applications

- Car security system
- Remote keyless entry
- Garage door controller
- Home security
- Wireless mouse
- Automation system



Product Identification

315MHz	MO-RXLC-AS315M
433.92MHz	MO-RXLC-AS434M

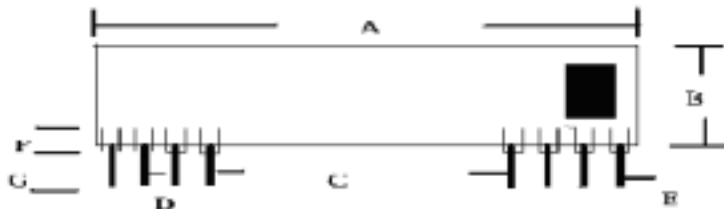
Absolute Maximum Ratings

Parameter	Rating	Units
Supply Voltage	5.0	V DC
Operating Temperature	-20~+80	

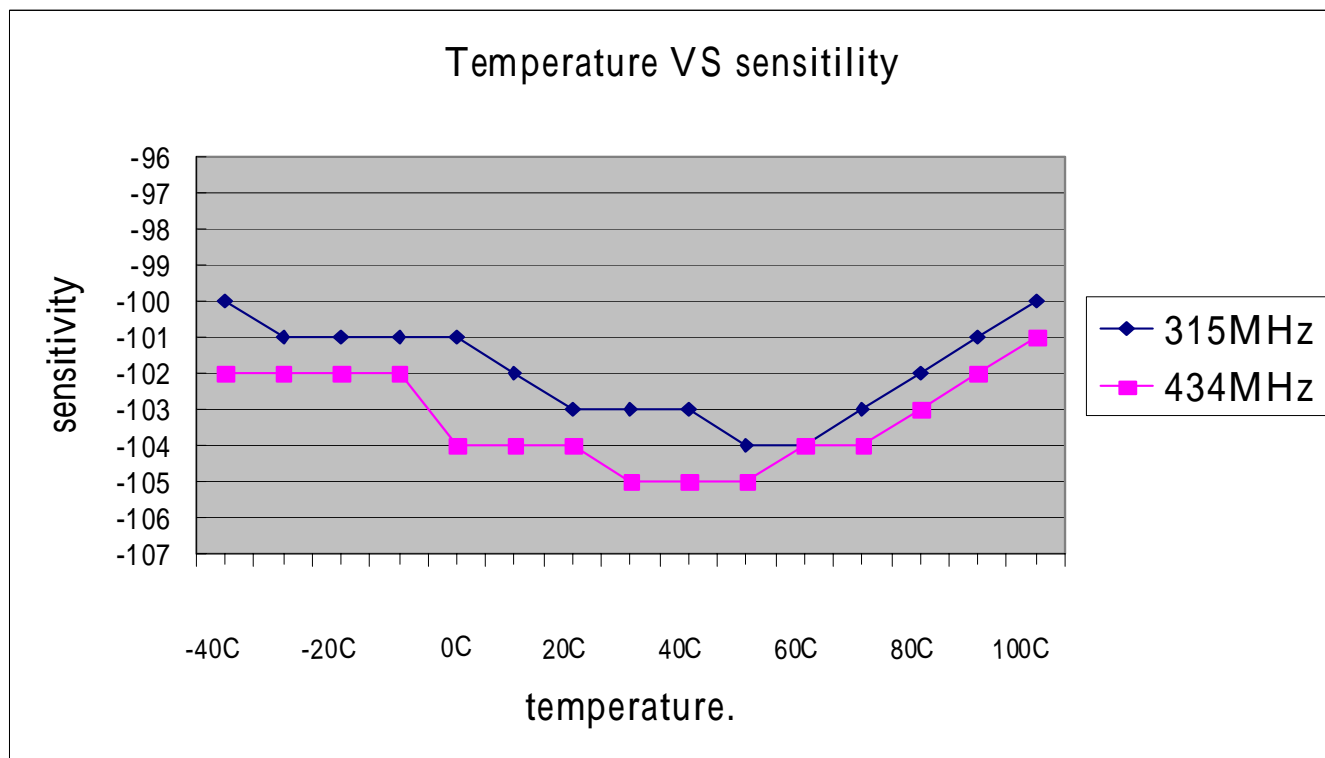
Absolute Maximum Ratings

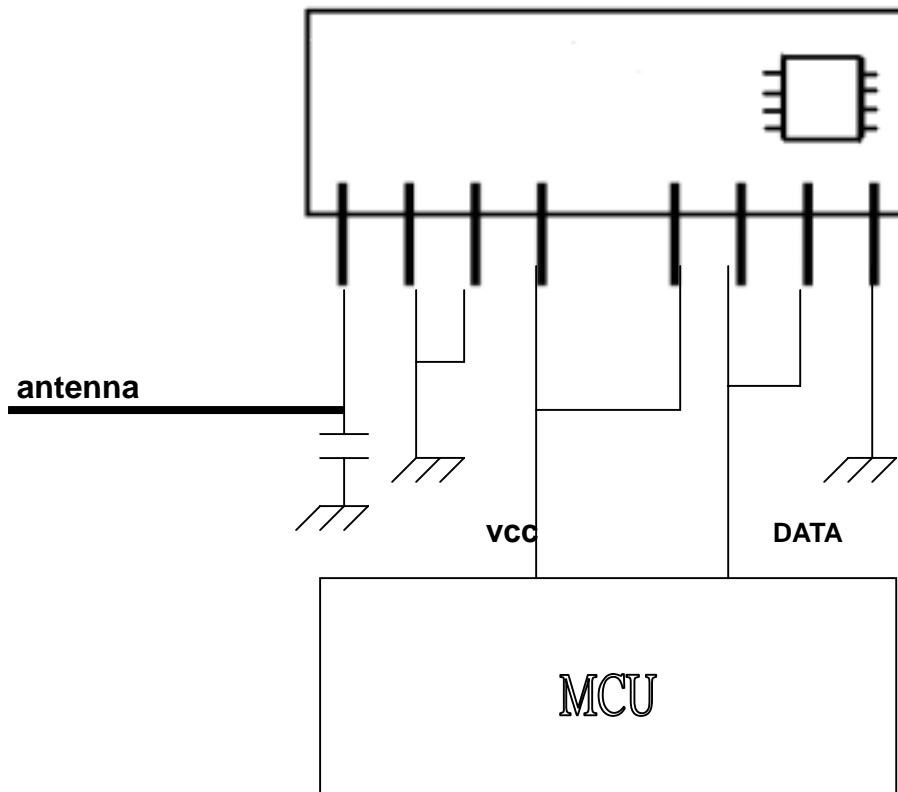
Parameter	Symbol	Condition	Specification			Unit
			Min.	Typical	Max.	
Operation Voltage			3.5	5	5.5	V
Sensitivity	Psens	Vcc=5.0V, 1Kbps Data Rate	315MHz	-104	--101	dBm
			434MHz	--104	--101	dBm
ASK out logic HIGH	VOH	Iload = 30 μ A	0.7*Vcc			V DC
ASK out logic LOW	VOL	Iload = 30 μ A			0.3*vcc	V DC
Supply current	Icc			3.5	4.5	mA
Tune on Time	Ton	Data start out by Vcc turn on		25		ms
Data Rate			300	1k	6k	bps
Output duty		Vcc=5V; 1kbps data rate	40		60	%

Pin Dimension



Dimensions	Millimeters	Dimensions	Millimeters
A	43.5 ± 0.25mm	F	2.50 ± 0.15mm
B	12 ± 0.25mm	G	3.50 ± 0.15mm
C	25.2 ± 0.30mm	H	7.2 ± (MAX)
D	2.54 ± 0.05mm	I	0.32 ± 0.05mm
E	0.65 ± 0.05mm		



Appication**Mark:**

1. Antenna length about :23cm for 315MHz
17cm for 434mHz
2. Receiver range about 100m with MO-TX4915-A315M (MO-TX4915-A315M) Module
about 120m with MO-SAWR-A315M(MO-SAWR-A434M) module
(Tested in open space)